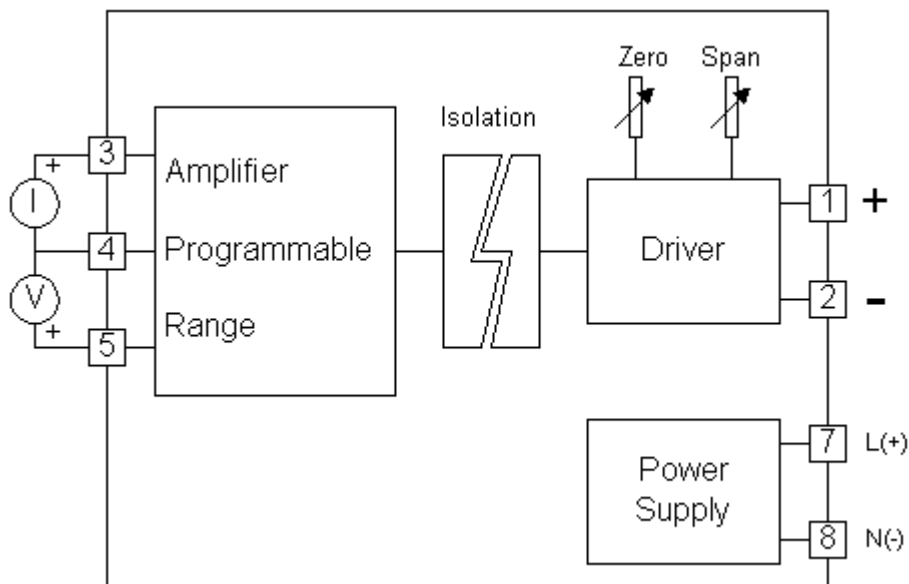


Signal converter SC95



- Programmable DC voltage or DC current input
- Isolated input, output and power supply
- Universal Conversions
- Plug-in socket structure

Signal Converter SC95 accepts any standard and many non-standard input signals and converts to any standard current or voltage signal. Low input resistance to current signals and high input resistance to voltage signals mean the signal converter can be inserted into existing system with no loss of performance. To minimize noise and other signal errors, the Signal Converter also features complete galvanic isolation of input, output and power supply.



Specifications

Analog Input

Number of channel: 1 Channel

Input type: current, voltage

Input range:

Current (100 μ A to 100 mA)

Voltage (10 mVDC to 100 VDC)

Input impedance:

Current (input resistance 20 Ω)

Voltage (min. input resistance 200 K Ω)

Analog Output

Number of channel: 1 Channel

Output type: Current, Voltage

Output range:

Current (0 to 20, 4 to 20 mA)

Voltage (0 to 1, 0 to 5, 1 to 5, 0 to 10 VDC)

Linearity: < \pm 0.2% of span

Output Load Resistance:

Current (Max 1000 ohm load)

Voltage (Min. load 1000 ohm)

Isolation voltage: 500 VAC. between
input output and power supply

Ordering Information: Specify input, output, power supply

Example SC95/0-10 V/4-20 mA/220 VAC

Package Checklist

1. SC95

Power Requirements

Power Supply: 100, 110, 220 VAC
(24 VDC Optional)

Environmental Limits

Operating Temperature: 0 to 55 $^{\circ}$ C

Operating Humidity: 5 to 95% RH

Storage Temperature: 0 to 70 $^{\circ}$ C

Physical Characteristics

Dimension: W50 x H70 x D130 mm.

Mounting: Wall or DIN rail

Connection: Plug - in 11 pins socket

Warranty

Warranty Period: 5 year