

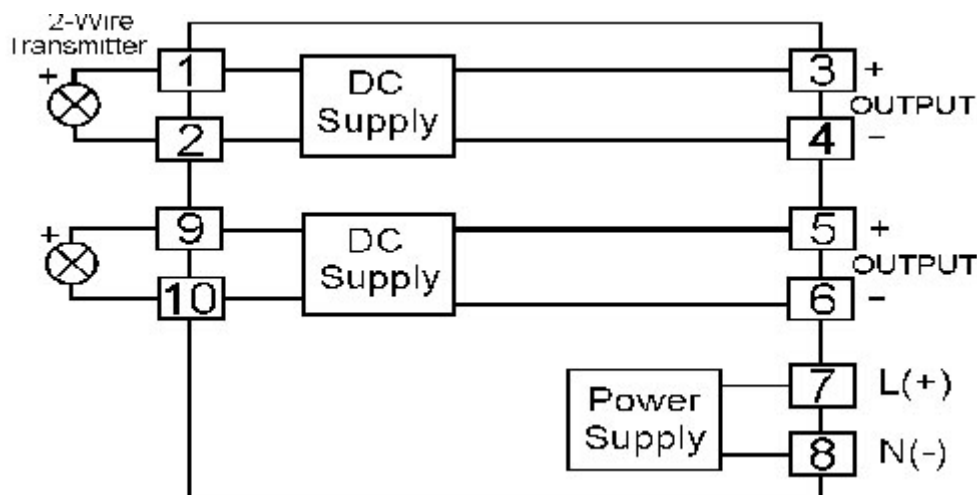
Current Loop Supply

CS295



- Power supply for 2 wire transmitter
- Supplies 2 Current Loops
- Isolation between each Current Loop and power supply
- Current limiting (short circuit protected)

The Current Loop Supply CS295 supplies power to 2-wire transmitters and generates output signal 4-20 mA. or 1-5 v. Isolation between each Current Loops and power supply is provided. Current limiting (to protect against transmitter wiring short circuits) is also provided. The electronic components are fitted on circuit boards enclosed in a plastic housing suitable for mounting on a standard rail 35 mm.



Specifications

Analog Output

Number of channel: 2 Channels

Output type: Voltage

Output range: 24 VDC (Regulated),
4 to 20 mA, 1 to 5 VDC (Output Signal)

Output Impedance: Max. 250 Ω

Current Limitation: 36 mA

Isolation voltage: Between Each Current
Loops and power supply

Short Circuit Duration: No Limit

Dielectric Strength: 500VAC for 1 minute

Power Requirements

Power Supply: 100, 110, 220 VAC
(24, 110, 125 VDC Option)

Ordering Information: Specify Output, Power Supply

Example CS295/4-20 mA/220 VAC

Package Checklist

1. CS295

Environmental Limits

Operating Temperature: 0 to 55 °C

Operating Humidity: 5 to 95% RH

Storage Temperature: 0 to 70 °C

Physical Characteristics

Dimension: W50 x H70 x D130 mm.

Mounting: Wall or DIN rail

Construction: plug - in

Wiring: Screw terminals on base socket

Warranty

Warranty Period: 5 year